



LOG LIGHTER VALVES

10720 STRAIGHT - CHROME

Straight and angle log lighter valves are constructed of heavy-duty forged brass with chrome or polished brass escutcheon. They have a teflon seat and a viton rubber synthetic fiber stem seal. The extremely high B.T.U. capacity makes them a good choice for either natural or artificial fireplaces. Valves are designed for use with natural, manufactured or LP gas only.

- **Inlet:** FIP Thread
- **Outlet:** FIP Thread
- **Sizes:** 1/2"

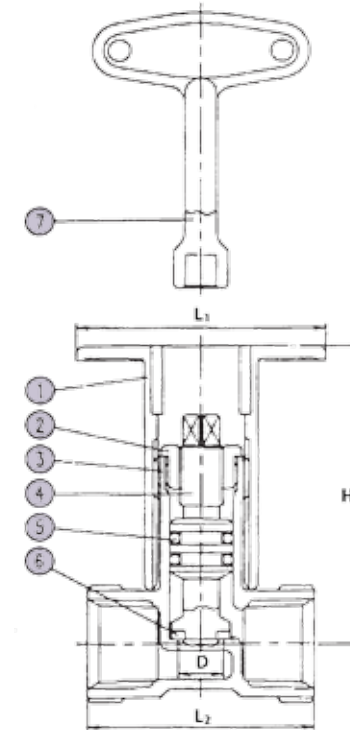


~ MATERIALS ~


NO.	PART	MATERIAL
1	Extended Tube	Zinc Alloy
2	Gland screw	Brass
3	Body	Brass
4	Stem	Brass
5	O-ring	Rubber
6	Seat packing	Teflon
7	Handle	Zinc Alloy

~ DIMENSIONS ~

SIZE	L ₁	L ₂	H	D
1/2"	2.17	1.97	2.40	.39



All valves manufactured to:

 B16.44 5 PSIG
ANSI Z21.15 1/2 PSIG

- All log lighters include **Escutcheon & Key**