



RADIATOR VALVES

4437T HOT WATER ANGLE RADIATOR VALVE

A.Y. McDonald Mfg. Co. Radiator Valves are constructed of heavy duty cast brass and feature a non-rising stem design. They provide positive shut off in steam and hot water applications.

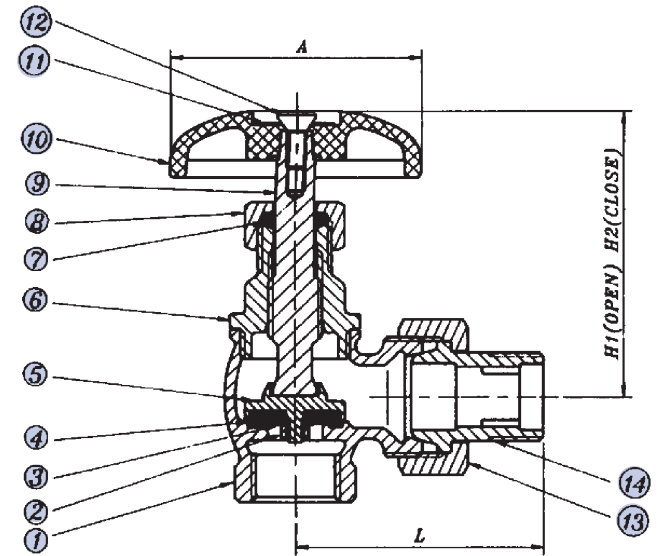
- MIP UNION X FIP
- Sizes: 1/2" - 1 1/4"



60 PSI Hot Water

| ~ MATERIALS ~ | | |
|---------------|-------------|----------------|
| NO. | PART | MATERIAL |
| 1 | Body | Brass |
| 2 | Nut | Brass |
| 3 | Washer | Brass |
| 4 | Seat | Buna-N |
| 5 | Retainer | Buna-N |
| 6 | Bonnet | Brass |
| 7 | Packing | Teflon |
| 8 | Packing Nut | Brass |
| 9 | Stem | Brass |
| 10 | Handwheel | Phenolic Resin |
| 11 | Nameplate | Aluminum |
| 12 | Screw | Brass |
| 13 | Union Nut | Brass |
| 14 | Tailpiece | Brass |

- Bronze Construction
- Hole drilled in seat for hot water use



| ~ DIMENSIONS ~ | | | | |
|----------------|------|------|------|------|
| SIZE | A | L | H1 | H2 |
| 1/2" | 2.26 | 2.26 | 2.96 | 2.61 |
| 3/4" | 2.26 | 2.54 | 3.16 | 2.73 |
| 1" | 2.26 | 2.85 | 3.55 | 2.96 |
| 1 1/4" | 2.26 | 3.20 | 3.98 | 3.35 |