



RADIATOR VALVES

4437S HOT WATER ANGLE RADIATOR VALVE

A.Y. McDonald Mfg. Co. Radiator Valves are constructed of heavy duty cast brass and feature a non-rising stem design. They provide positive shut off in steam and hot water applications.

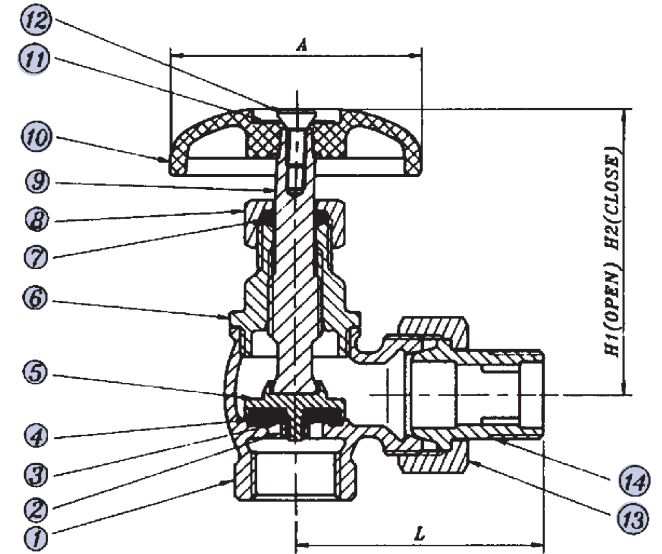
- MIP UNION X SWT
- Sizes: 1/2" - 3/4"



60 PSI Hot Water

~ MATERIALS ~

NO.	PART	MATERIAL
1	Body	Brass
2	Nut	Brass
3	Washer	Brass
4	Seat	Buna-N
5	Retainer	Buna-N
6	Bonnet	Brass
7	Packing	Teflon
8	Packing Nut	Brass
9	Stem	Brass
10	Handwheel	Phenolic Resin
11	Nameplate	Aluminum
12	Screw	Brass
13	Union Nut	Brass
14	Tailpiece	Brass



- Bronze Construction
- Hole drilled in seat for hot water use

~ DIMENSIONS ~

SIZE	A	L	H1	H2
1/2"	2.26	2.26	2.96	2.61
3/4"	2.26	2.54	3.16	2.73