



RADIATOR VALVES

4433T CONVECTOR STEAM ANGLE VALVE

A.Y. McDonald Mfg. Co. Radiator Valves are constructed of heavy duty cast brass and feature a non-rising stem design. They provide positive shut off in steam and hot water applications.

- FIP UNION X FIP
- **Sizes:** 1" - 1 1/4"

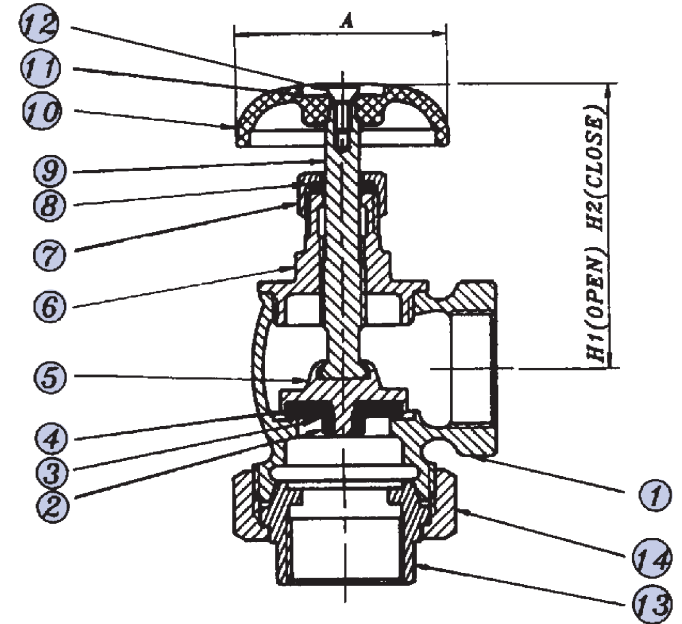


15 WSP
60 PSI Hot Water

~ MATERIALS ~

NO.	PART	MATERIAL
1	Body	Bronze
2	Nut	Brass
3	Washer	Brass
4	Seat	Buna-N
5	Retainer	Brass
6	Bonnet	Bronze
7	Packing	Teflon
8	Packing Nut	Brass
9	Stem	Brass
10	Handwheel	Phenolic Resin
11	Nameplate	Aluminum
12	Screw	Brass
13	Tailpiece	Bronze
14	Union Nut	Bronze

- Bronze Construction



~ DIMENSIONS ~

SIZE	A	H1	H2
1"	2.26	3.55	2.96
1 1/4"	2.26	3.98	3.35