



RADIATOR VALVES

4431T STEAM / WATER ANGLE RADIATOR VALVE

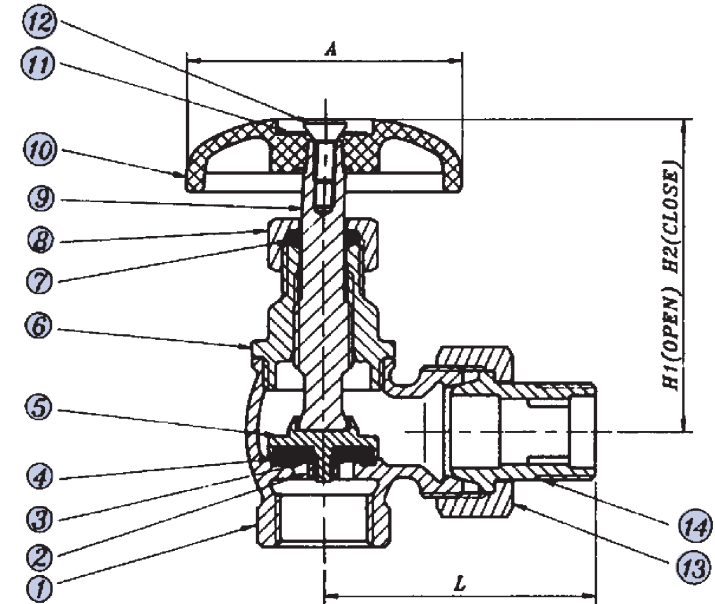
A.Y. McDonald Mfg. Co. Radiator Valves are constructed of heavy duty cast brass and feature a non-rising stem design. They provide positive shut off in steam and hot water applications.

- FIP X MIP UNION
- Sizes: 1/2" - 1 1/2"



15 WSP
60 PSI Hot Water Rating

~ MATERIALS ~		
NO.	PART	MATERIAL
1	Body	Brass
2	Nut	Brass
3	Washer	Brass
4	Seat	Buna-N
5	Retainer	Buna-N
6	Bonnet	Brass
7	Packing	Teflon
8	Packing Nut	Brass
9	Stem	Brass
10	Handwheel	Phenolic Resin
11	Nameplate	Aluminum
12	Screw	Brass
13	Union Nut	Brass
14	Tailpiece	Brass



~ DIMENSIONS ~				
SIZE	A	L	H1	H2
1/2"	2.26	2.26	2.96	2.61
3/4"	2.26	2.54	3.16	2.73
1"	2.26	2.85	3.55	2.96
1 1/4"	2.26	3.20	3.98	3.35
1 1/2"	2.26	3.59	4.41	3.55