



# PUSH-FIT VALVES & FITTINGS

## 2105 BALL VALVE

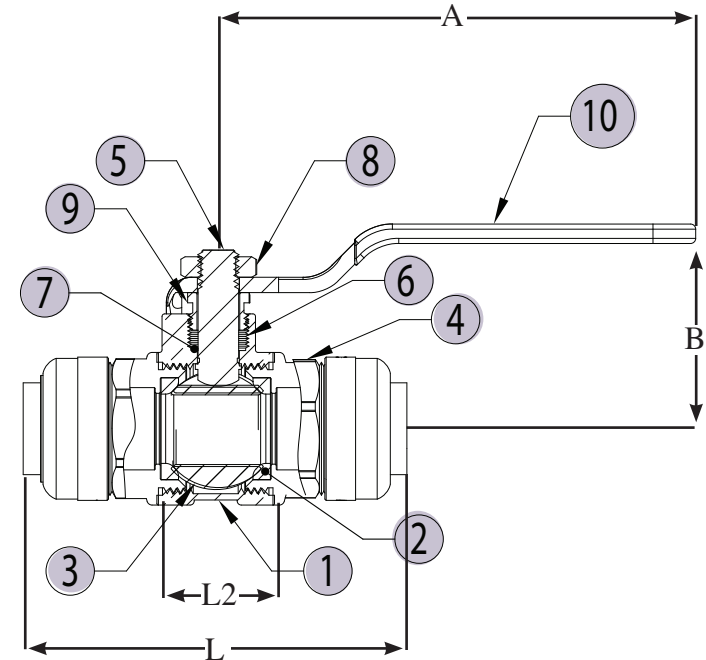
A. Y. McDonald Mfg. Co. Push-Fit Valves & Fittings are designed for use on copper tubing, pex tubing, and CPVC pipe. Push-Fit fittings eliminate the need for soldering, crimping, or solvent welding and are designed for above ground indoor water applications. Push-Fit fittings comply with all applicable standards and are pressure rated at 200 PSIG from 0° to 200°F.

**CTS X CTS**  
 • Sizes: 1/2, 3/4", 1"



~ MATERIALS ~

NO.	PART	MATERIAL
1	Body	Brass, C36500
2	Seat Ring	Teflon
3	Ball	Brass, C37700 (C.P.)
4	Cap	Brass, C36500
5	Stem	Brass, C37700
6	O-Ring	NBR
7	Packing	Teflon
8	Nut	Brass, C37700
9	Packing Nut	Brass, C37700
10	Handle	Zinc Plated w/Vinyl Cover



~ DIMENSIONS ~

SIZE	A	B	L	L2	ID
1/2"	2.8	1.3	3.07	1.10	.37
3/4"	2.8	1.5	3.26	1.18	.51
1"	3.5	2.1	3.97	1.47	.76

