



SPECIALTY VALVES / FITTINGS

2073 BRONZE COMPRESSION COUPLING

A.Y. McDonald Mfg. Co. carries a full line of Industrial & Specialty valves and fittings. Refer to the parts description for proper application.

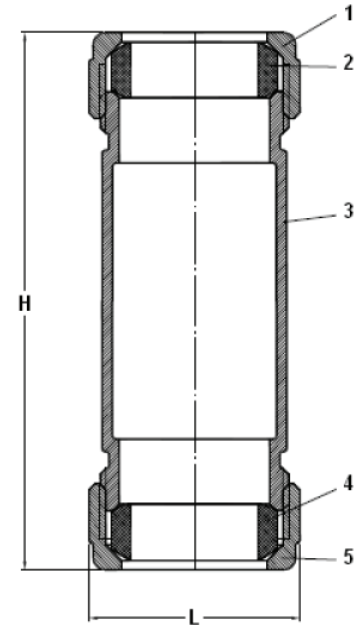
- 3/8" - 1 1/2" IPS
- 1/2" - 1 1/2" CTS



125 WOG

~ MATERIALS ~		
NO.	PART	MATERIAL
1	Compression Nut	Cast Brass
2	Gasket	Rubber NBR
3	Body	Cast Brass
4	Gasket	Rubber NBR
5	Compression Nut	Cast Brass

- Rubber gaskets
- Used for repair applications on galvanized or copper tubing.



~ DIMENSIONS ~			
SIZE		L	H
IPS	CTS		
3/8"	or 1/2"	1.18	5.00
1/2"	or 3/4"	1.40	5.00
3/4"	or 1"	1.77	5.00
1"	or 1 1/4"	1.98	5.00
1 1/4"	or 1 1/2"	2.36	5.00
	1 1/2"	2.63	5.00