



BALL VALVES - STANDARD PORT BALL VALVES

2031 BALL VALVE

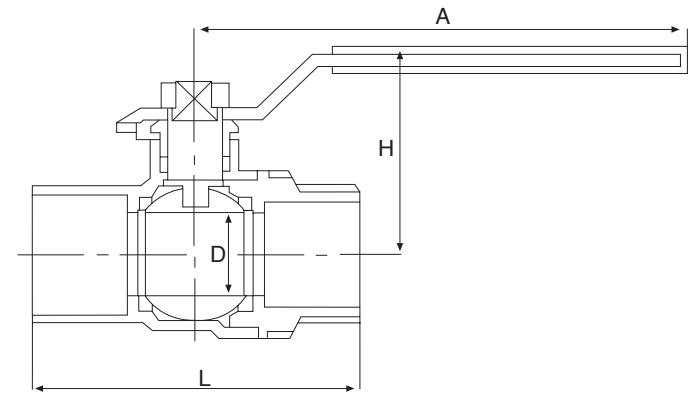
A.Y. McDonald Mfg. Co. Standard Port Ball Valves are constructed of heavy duty brass and can be used with a full range of liquids and gases in commercial, industrial and residential applications. This is a standard port valve with excellent flow characteristics.

- SWT X MIP
- Sizes: 1/2" - 1"



400 WOG,
150 WSP

~ MATERIALS ~		
NO.	PART	MATERIAL
1	Nut	Steel
2	Handle	Steel
3	Stem Gland Screw	Brass
4	Stem Packing	Teflon
5	Stem	Brass
6	Body	Forged Brass
7	Ball Disc Packing	Teflon
8	Ball Disc	Brass
9	End Plug	Brass



- Manufactured to MSS-SP-110
- Threads conform to ANSI B1.20.1
- Solder ends comply to ANSI B16.18
- Blowout proof stem

~ DIMENSIONS ~				
SIZE	L	H	D	A
1/2"	2.17	1.46	.39	3.31
3/4"	2.44	1.57	.59	3.31
1"	2.8	1.97	.79	4.65